

282087-1 ✓ ACTIVE

AMP | AMP Superseal 1.5mm Series

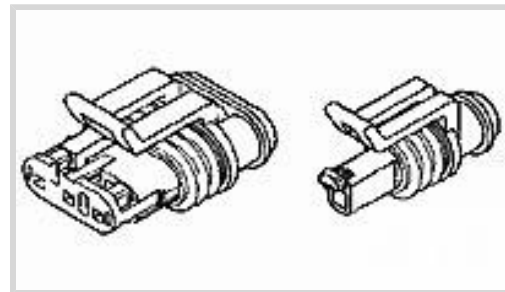
TE Internal #: 282087-1

AMP Superseal 1.5mm Series, Housing for Female Terminals, Wire-to-Wire / Wire-to-Device / Wire-to-Board, 3 Position, 6mm [.236in] Centerline, Sealable

[View on TE.com >](#)



Connectors > Automotive Connectors > Connector Housings > AMP SUPERSEAL 1.5MM, CONNECTOR HOUSING



Connector & Housing Type: **Housing for Female Terminals**

Mating Tab Width: **1.5 mm [.059 in]**

Connector System: **Wire-to-Board, Wire-to-Device, Wire-to-Wire**

Number of Positions: **3**

Centerline (Pitch): **6 mm [.236 in]**

[All AMP SUPERSEAL 1.5MM, CONNECTOR HOUSING \(26\)](#)

Features

Product Type Features

Connector & Housing Type	Housing for Female Terminals
Connector System	Wire-to-Board, Wire-to-Device, Wire-to-Wire
Sealable	Yes
Hybrid Connector	No
Primary Locking Feature	Integrated in Housing
Strain Relief	No

Configuration Features

Number of Positions	3
Number of Rows	1

Electrical Characteristics

Nominal Voltage Architecture	12 V, 24 V
Operating Voltage	24 VDC

Body Features

Cable Exit Angle	180°
Body Material	PA GF
Primary Product Color	Black



Contact Features

Mating Tab Width	1.5 mm[.059 in]
------------------	-----------------

Mechanical Attachment

Terminal Position Assurance	No
Mounting Feature	Without
Polarized	Yes

Housing Features

Centerline (Pitch)	6 mm[.236 in]
--------------------	---------------

Dimensions

Height	32.2 mm[1.268 in]
Length	23.1 mm[.909 in]
Width	9.3 mm[.366 in]

Usage Conditions

Operating Temperature (Max)	70 °C, 75 °C, 80 °C, 85 °C, 90 °C, 100 °C, 105 °C, 110 °C, 120 °C, 125 °C[158 °F][167 °F][176 °F][185 °F][194 °F][212 °F][221 °F][230 °F][248 °F][257 °F]
Operating Temperature Range	-40 – 125 °C, -40 – 125 °C[-40 – 257 °F][-40 – 257 °F]

Operation/Application

Circuit Application	Signal
---------------------	--------

Industry Standards

Degree of Protection	IP67
----------------------	------

Packaging Features

Packaging Method	Bag
Packaging Quantity	650

Other

Serviceable	Yes
Connector Position Assurance Capable	No

Product Compliance

For compliance documentation, visit the product page on [TE.com](https://www.te.com)>

EU RoHS Directive 2011/65/EU	Compliant
------------------------------	-----------




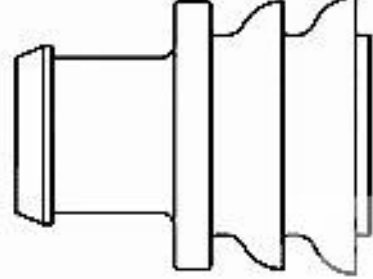
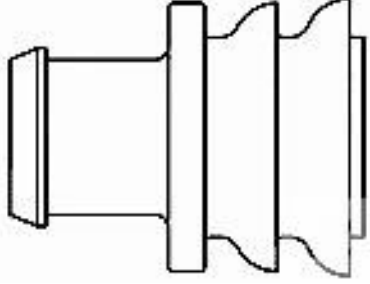
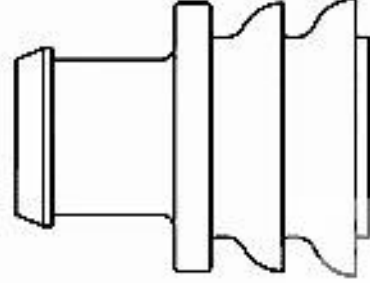
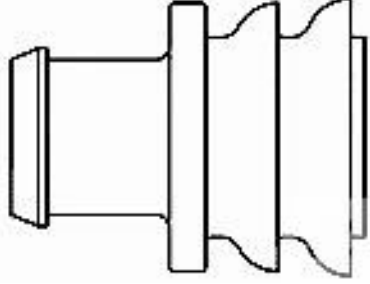



EU ELV Directive 2000/53/EC	Compliant
China RoHS 2 Directive MIIT Order No 32, 2016	No Restricted Materials Above Threshold
EU REACH Regulation (EC) No. 1907/2006	Current ECHA Candidate List: JUN 2020 (209) Candidate List Declared Against: JUN 2020 (209) Does not contain REACH SVHC
Halogen Content	BFR/CFR/PVC Free, but Br/Cl >900 ppm in other sources.
Solder Process Capability	Not applicable for solder process capability

Product Compliance Disclaimer

This information is provided based on reasonable inquiry of our suppliers and represents our current actual knowledge based on the information they provided. This information is subject to change. The part numbers that TE has identified as EU RoHS compliant have a maximum concentration of 0.1% by weight in homogenous materials for lead, hexavalent chromium, mercury, PBB, PBDE, DBP, BBP, DEHP, DIBP, and 0.01% for cadmium, or qualify for an exemption to these limits as defined in the Annexes of Directive 2011/65/EU (RoHS2). Finished electrical and electronic equipment products will be CE marked as required by Directive 2011/65/EU. Components may not be CE marked. Additionally, the part numbers that TE has identified as EU ELV compliant have a maximum concentration of 0.1% by weight in homogenous materials for lead, hexavalent chromium, and mercury, and 0.01% for cadmium, or qualify for an exemption to these limits as defined in the Annexes of Directive 2000/53/EC (ELV). Regarding the REACH Regulation, the information TE provides on SVHC in articles for this part number is based on the latest European Chemicals Agency (ECHA) 'Guidance on requirements for substances in articles' posted at this URL: <https://echa.europa.eu/guidance-documents/guidance-on-reach>

Compatible Parts

 <p>TE Model / Part # CAT-AM71-CH8172 AMP SUPERSEAL 1.5MM, CONNECTOR HOUSING</p>	 <p>TE Model / Part # CAT-AM71-T273 AMP SUPERSEAL 1.5MM, RECEPTACLE AND TAB</p>	 <p>TE Model / Part # 880811-2 COVER CAP, 3 WAY</p>	 <p>TE Model / Part # 281934-3 SINGLE WIRE SEAL</p>
 <p>TE Model / Part # 282081-1 RUBBER PLUG</p>	 <p>TE Model / Part # 281934-2 SINGLE WIRE SEAL</p>	 <p>TE Model / Part # 281934-4 SINGLE WIRE SEAL</p>	 <p>TE Model / Part # 1745020-1 SUPERSEAL 3 POS. TAB HOUSING (CLOSED CAV)</p>

Also in the Series | AMP Superseal 1.5mm Series



Automotive Connector Caps & Covers (2)



Automotive Housings(26)



Automotive Seals & Cavity Plugs(4)



Automotive Terminals(16)



Other Automotive Connector Accessories(2)

Customers Also Bought



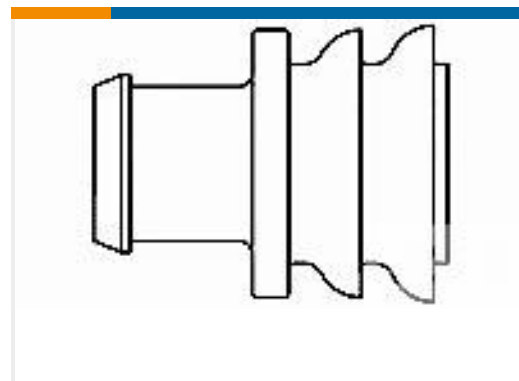
TE Model / Part #282105-1
AMP SUPERSEAL 1.5MM,
CONNECTOR HOUSING



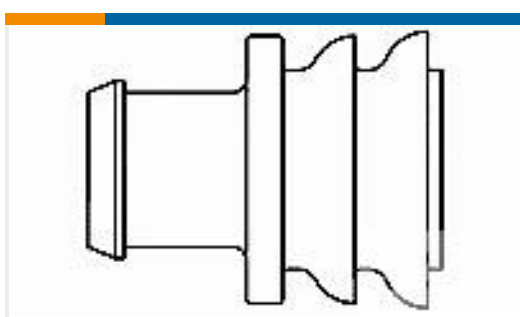
TE Model / Part #183025-1
AMP SUPERSEAL 1.5MM,
RECEPTACLE AND TAB



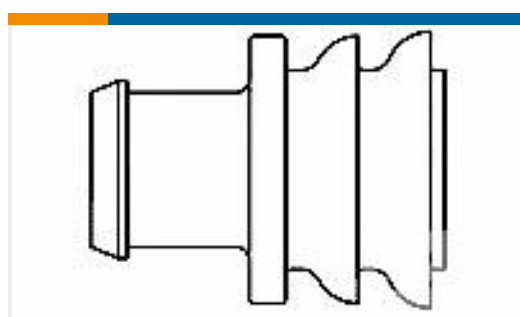
TE Model / Part #880811-2
COVER CAP, 3 WAY



TE Model / Part #281934-3
SINGLE WIRE SEAL



TE Model / Part #281934-2
SINGLE WIRE SEAL



TE Model / Part #281934-4
SINGLE WIRE SEAL

Documents

Product Drawings

AMP SUPERSEAL 1.5 SERIES 3P PL

English

CAD Files

3D PDF

3D

Customer View Model

ENG_CVM_CVM_282087-1_C.2d_dxf.zip



English

Customer View Model

[ENG_CVM_CVM_282087-1_C.3d_igs.zip](#)

English

Customer View Model

[ENG_CVM_CVM_282087-1_C.3d_stp.zip](#)

English

By downloading the CAD file I accept and agree to the [Terms and Conditions](#) of use.

Datasheets & Catalog Pages

[AMP SUPERSEAL 1.5mm Connector System](#)

English

[ICT Terminals and Connectors Catalogue](#)

English

Product Specifications

[Product Specification](#)

English

Product Environmental Compliance

[MD_282087-1_121020172150_dmtec](#)

English

[MD_282087-1_121020172150_dmtec](#)

English

Instruction Sheets

[AMP SUPERSEAL 1.5 SERIES](#)

English

[Customer Manual \(non U.S.\)](#)

English